

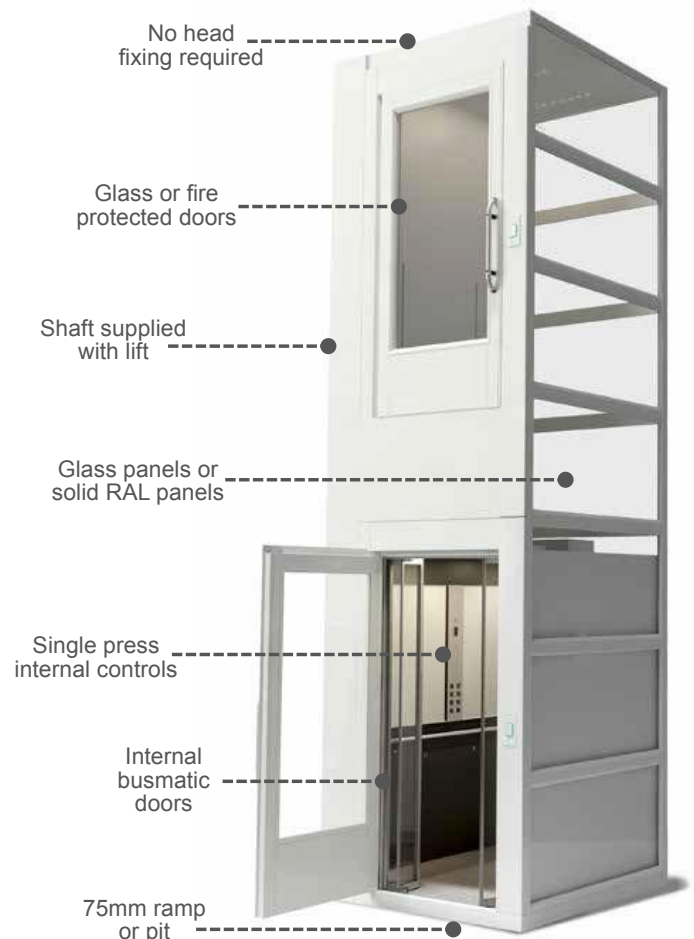
Gartec 9000 Platform Cabin Lift

GARTEC
LEADING THE PLATFORM LIFT INDUSTRY

TECHNICAL

Type of Lift	Internal platform lift for public and commercial environments
Useage	Passenger platform cabin lift
Environment	Internal only
Travel	2100mm - 13,000 mm
No. of Floors	2 - 6
Top Height	2400mm (minimum) No head fixing required
Pit / Ramp	75mm (pit or ramp)
Rated Speed	0.15m/s
Capacity	400kg / 5 person
Drive System	Screw and Nut System with Emergency Battery Backup
Platform Controls	Single Press Operation
Landing Controls	Single Press Operation
Power Req.	3 Phase, 400V, 20A
Motor	2.2kW
Shaft	Supplied, self supporting Glass or solid panels
Doors	Automatic powered folding busmatic doors Full height only
Door Configuration	Single or through car on each floor Adjacent entry not possible
Compliance	EN81-41 ISO 9001:2008 Machinery Directive Compliant Part M Compliant

The Gartec 9000 cabin lift is a platform lift with a fully enclosed lift car. Single touch buttons and cabin enclosure provide users with the same experience as a conventional lift, but at half the cost. No head fixing, no machine room and quick installation make the 9000 an easy choice.



9000 with outer glass doors

DIMENSIONS

Platform Size	Structural Opening	Shaft Size
1000 x 1400mm	1465 x 1630mm	1435 x 1600mm
1100 x 1400mm	1565 x 1630mm	1535 x 1600mm

For doors on B side, add 25mm to width.

Door configuration single entry or through car only.

What do you need?

From site visits to specific drawings, show room meetings to pre-contract meetings, Gartec are experienced and ready to help however we can.

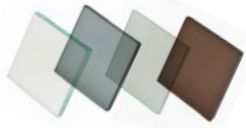


Gartec 9000 Platform Cabin Lift

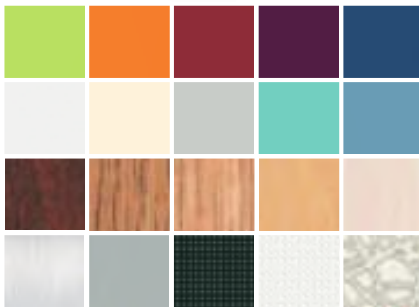
GARTEC
LEADING THE PLATFORM LIFT INDUSTRY

OPTIONS

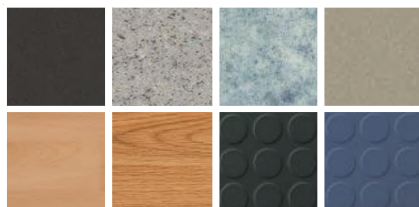
Doors	Glass panel or fire protected Key locking system RAL colour to trims Automatic door opener
Mirror	Optional mirror on cabin wall
Rails	Stainless steel or oak finish handrails, handles & bump rails
Buttons	Tactile or braille floor buttons
Communicate	Alarm button with telephone, intercom or autodialler
Destination	Announcer and LED cabin display LED landing display
Shaft	Glass panels in 4 tints Solid panels in any RAL colour



Cabin Walls



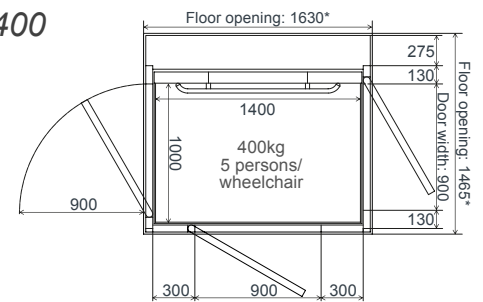
Cabin Flooring



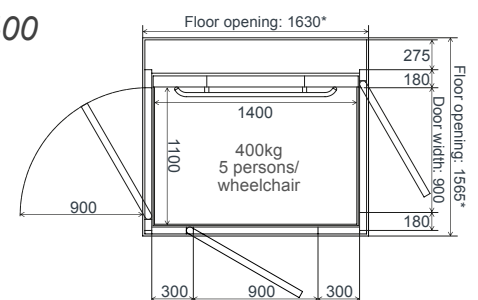
9000 with LED Cabin Lighting

PLAN VIEWS

1000x1400



1100x1400



For doors on B side, C → ← A
add 25mm to width
B

Rules & Regulations

The 9000 cabin lift ticks all the boxes for Part M, EN81-41 and the Equality Act - and the energy efficiency means our 9000 lift reduces your BREEAM requirement by 2 points.



CONFIGURATIONS

