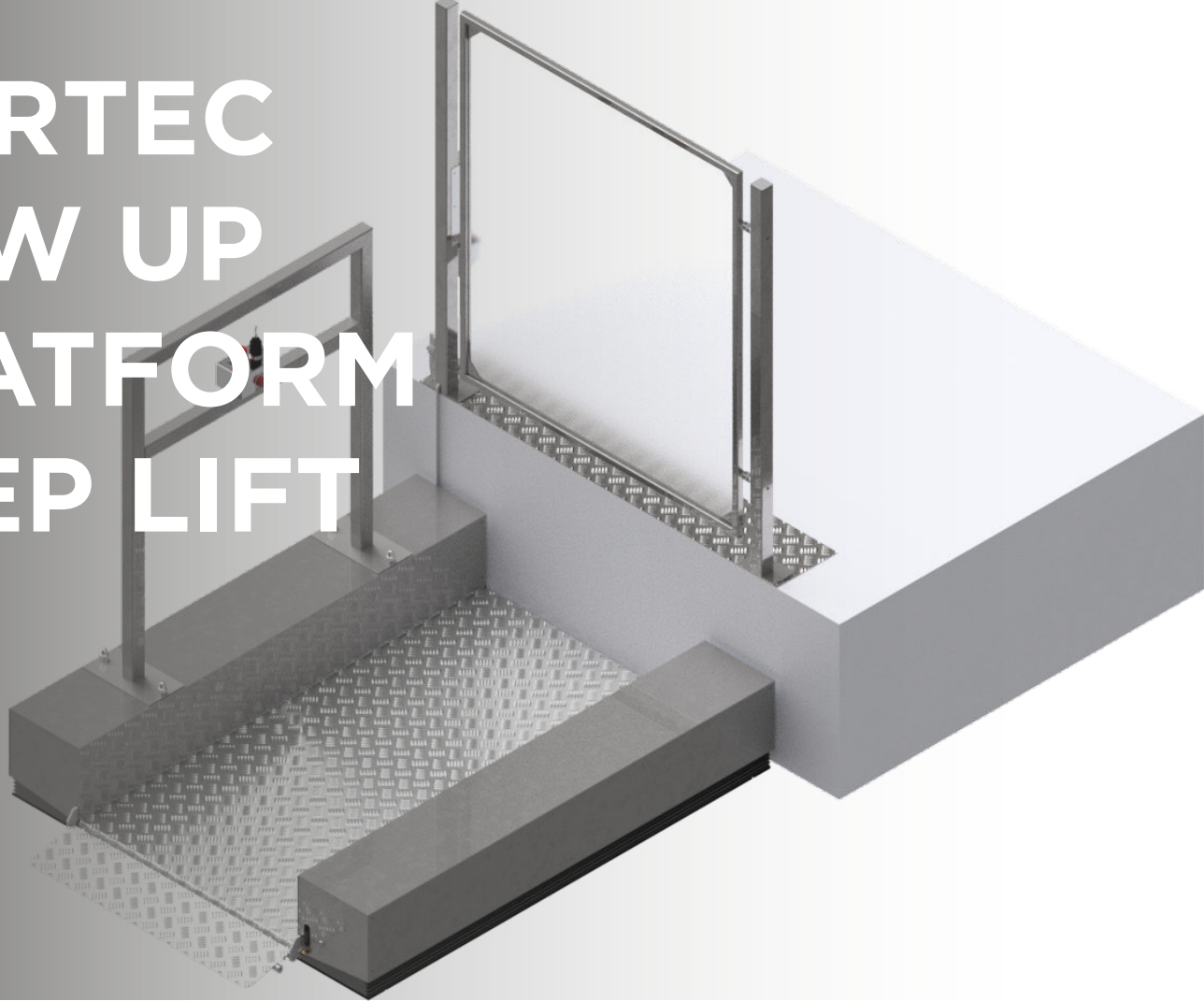


GARTEC LOW UP PLATFORM STEP LIFT

By MPR



ABOUT

The Gartec Low up step lift by MPR, is an easy-to-maneuver and reliable lift with protective edges, roll-off protection and railing. It is one of our most cost-effective lift solutions that provides accessibility immediately.

Operated with joystick or a remote control is available as an option. The standard roll-in width is 715mm, but there is also a 915mm wide (Part M compliant) platform, with the mechanically interlocked top gate option chosen this makes the Low Up suitable and compliant for a public and commercial environment.

The Gartec Low up step lift is galvanized as standard but can also be hot galvanised, powder coated in any RAL color, or a stainless steel version is available as an option.

OPTIONS

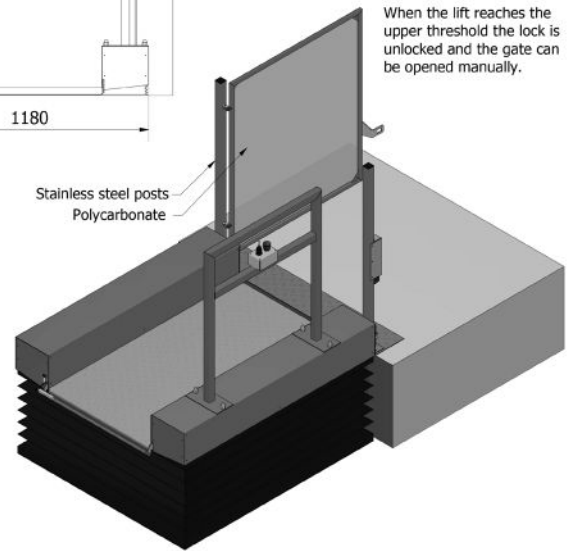
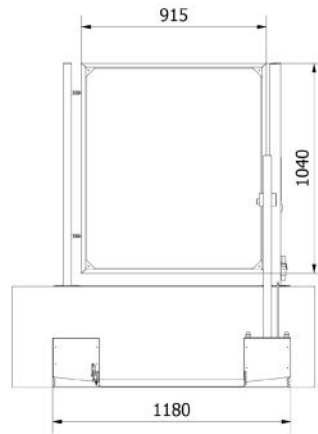
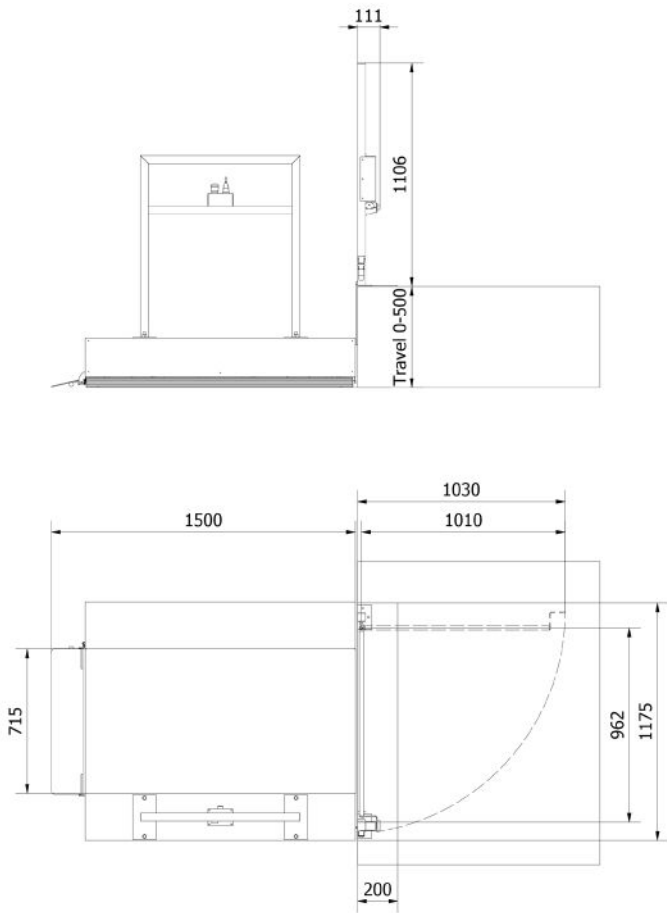
- Mechanically interlocked top gate
- Bellows or safety plate
- Constant pressure joystick
- Different floor coverings
- Powder coating to alternative RAL
- Wider platform 1920mm
- Longer access ramp 250mm
- Additional stainless steel handrail on opposite side of lift
- Remote landing call stations
- Key switch control

SUITABLE APPLICATIONS

Ideal for public spaces such as events, retail, small office buildings, education, health, care homes and leisure.

TECHNICAL DETAILS

Type of Lift	Step platform lift for public, commercial and residential environments
Platform Dimensions	720 x 1340mm as standard 920 x 1340mm optional (Part M Compliant)
Environment	Internal and external
Travel*	35mm - 500mm
Rated Speed	0.01m/s
Capacity	225kg
Drive	x2 Linear actuators
Motor	2.5 kW Motor
Electrical Supply	Single phase 50 hz
Fuse	13 Amp, fused spur
Control Voltage	24V DC
Compliance	BS6440, Machinery directive, Approved document M, Equality Act



All of our MPR step lifts are supplied with 12 months product warranty and 12 months maintenance and servicing as standard.

