

# GARTEC STRATEGOS 1 STEP LIFT

By MPR



## ABOUT

The Gartec Strategos 1 step lift is galvanized as standard but can also be hot galvanised, powder coated in any RAL colour, or a stainless steel version is available as an option.

Made for outdoor as well as for indoor use, It is reliable, with minimal builders work and no pit required. There is a flexible fixing attachment arrangement to the wall to assist with some minor building discrepancies. A freestanding steel framework is also an alternative option (lifting height between 500-3000mm).

A safety plate under the step lift car provides great reliability and prevents accidents. Hand winding lowering comes as standard with automatic lowering optional. Sides and doors are made of impact-resistant safety glass. Aluminium floorboard comes as standard, with various vinyl and carpets as optional. No additional space is required to house any extra machinery as the motor is contained within the step lift.

## OPTIONS

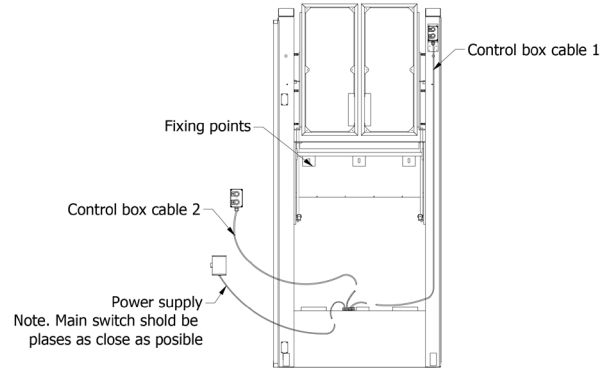
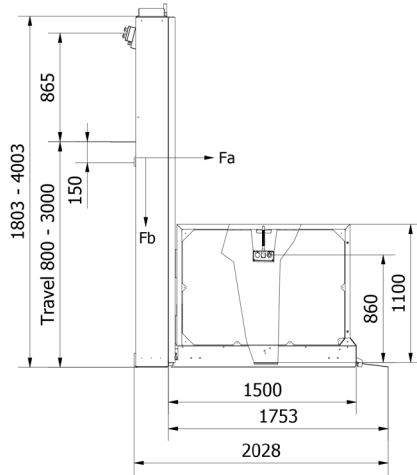
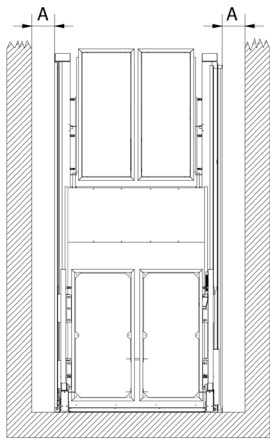
- Through or adjacent entry
- Bellows or safety plate
- Soft start / stop
- Different floor coverings
- Door automation
- Powder coating to alternative RAL
- Various alternative actuators
- Glass panes instead of polycarbonate
- Freestanding steel framework for installation

## SUITABLE APPLICATIONS

Ideal for public spaces such as, local authority, retail, small office buildings, education, health, care homes and leisure.

## TECHNICAL DETAILS

<b>Type of Lift</b>	Step platform lift for public, commercial and residential environments
<b>Platform Dimensions</b>	1100 x 1460mm as standard, (1100 x 1260mm and 1100 x 1660mm as optional)
<b>Environment</b>	Internal and external
<b>Travel*</b>	500mm - 3000mm
<b>Rated Speed</b>	0.08m/s
<b>Capacity</b>	400kg
<b>Drive</b>	Electrical motor / Screw and nut
<b>Motor</b>	3.0 kW Motor
<b>Electrical Supply</b>	Single phase 50 hz, three phase 50 hz optional,
<b>Fuse</b>	16 Amp, lockable isolator
<b>Control Voltage</b>	24 Volts
<b>Compliance</b>	BS6440, Machinery directive, Approved document M, Equality Act



**CLEARANCES**

"A"  
Horizontal distance between the platform and the wall 145mm if smooth, 355mm if irregular

**Anchor**  
Horizontal & Vertical 3 pcs minimum, see installation information for further details of substrate requirements and type (Only use the fixation angles on the upper level)

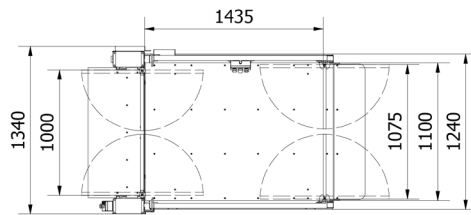
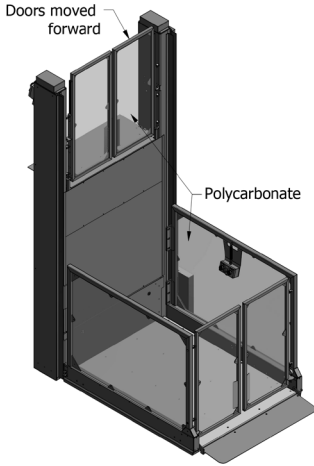
**Platform floor finish**  
Standard - Aluminium chequer plate

**Electrical supply (Main switch)**  
1ph L, N, PE, 3 x 2,5mm<sup>2</sup>, 16A

**Technical Data**  
Rated capacity: 400kg / 2 person  
Speed: 0,08m / s  
Drive: 3,0kW Electrical motor / Belt drive  
Electrical Connection: Single phase, 3 x 2,5mm<sup>2</sup>  
Control voltage: 24 Volts  
Soft start / Stop by frequency inverter  
Drive system: Screw / Nut

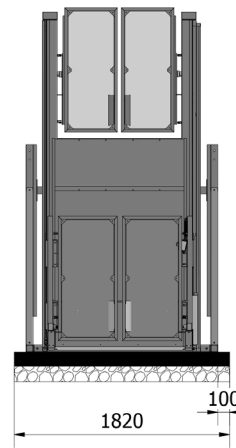
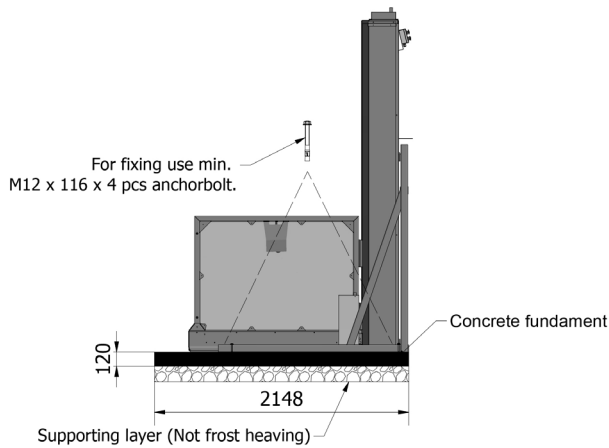
HORIZONTAL FORCES	
Fixing height mm	Total Anchor Force Fa, kN
400	25,8
600	17,2
800	12,9
1000	10,3
1200	8,6
1400	7,4
1600	6,5
1800	5,7
2000	5,2
2200	4,7
2400	4,3
2600	4
2800	3,7

Fb= Vertical force of 10kN spread over area of 1300 x 250mm



**All of our MPR step lifts are supplied with 12 months product warranty and 12 months maintenance and servicing as standard.**

**THROUGH ENTRY AVAILABLE WITH SUPPORT FRAME**



**ADJACENT DOOR OPTIONS AVAILABLE**

