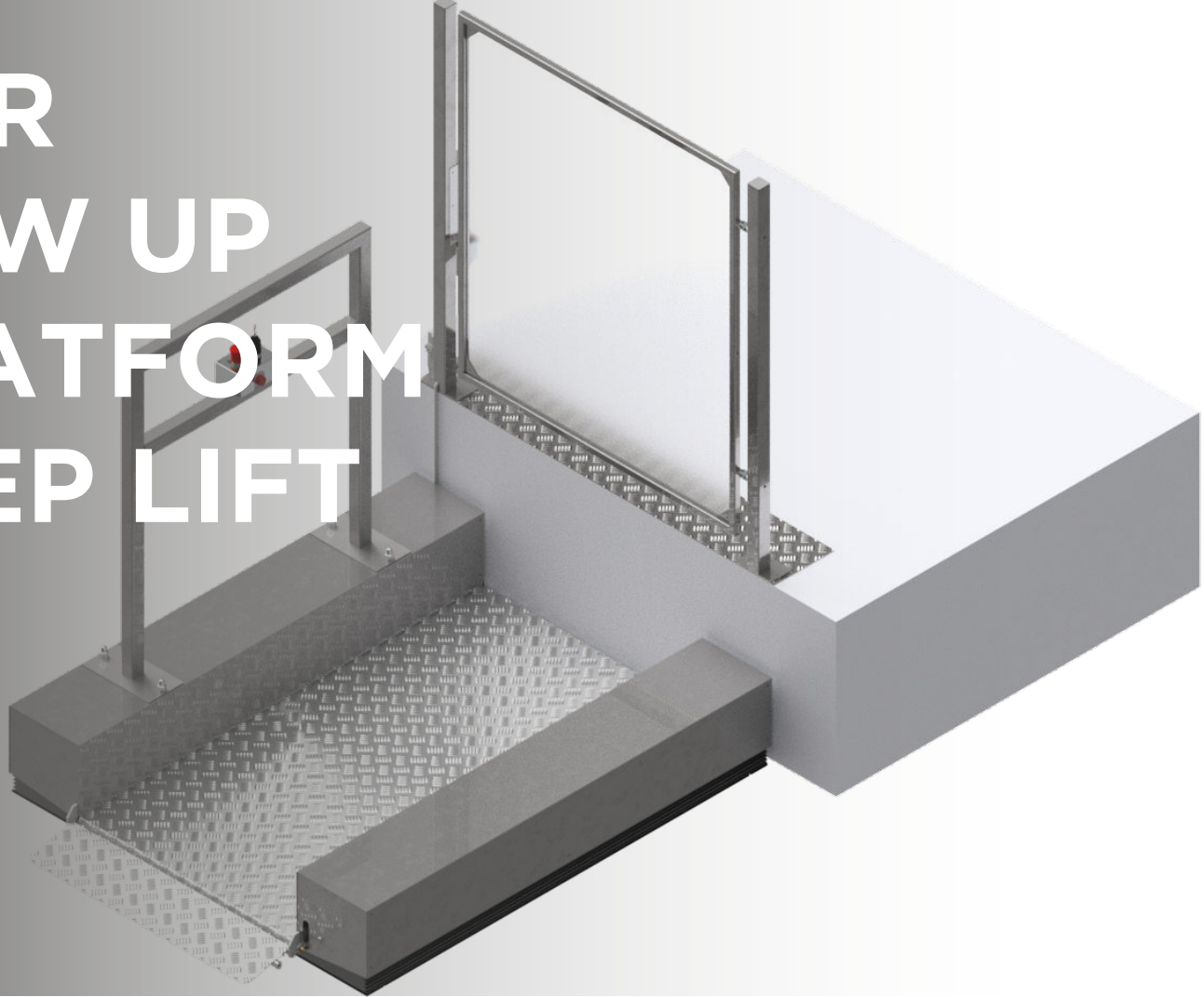


MPR LOW UP PLATFORM STEP LIFT



ABOUT

The MPR Low up step lift, is an easy-to-maneuver and reliable lift with protective edges, roll-off protection and railing. It is one of our most cost-effective lift solutions that provides accessibility immediately.

Operated with joystick or a remote control is available as an option. The standard roll-in width is 715mm, but there is also a 920mm wide (Part M compliant) platform, with the mechanically interlocked top gate option chosen this makes the Low Up suitable and compliant for a public and commercial environment.

The MPR Low up step lift is galvanized (visible parts are stainless steel) as standard but can also be hot galvanized, powder coated in any RAL colour, or a stainless steel version is available as an option.

OPTIONS

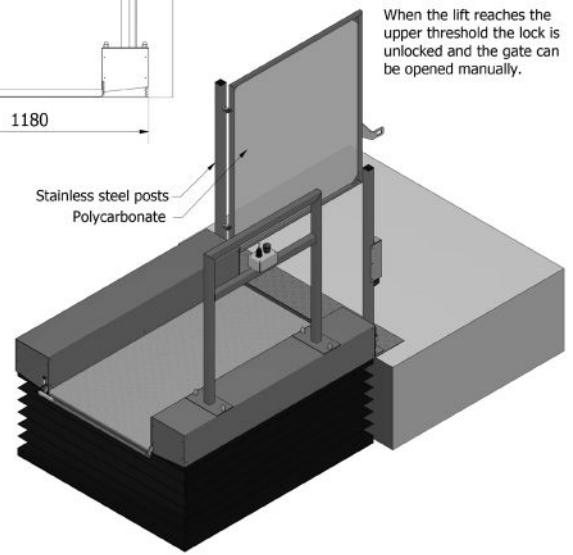
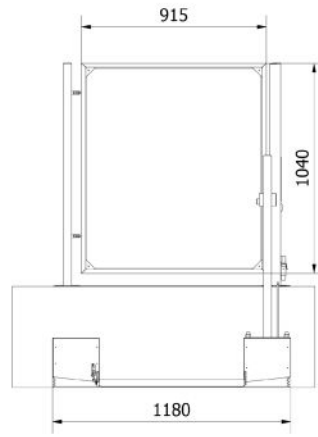
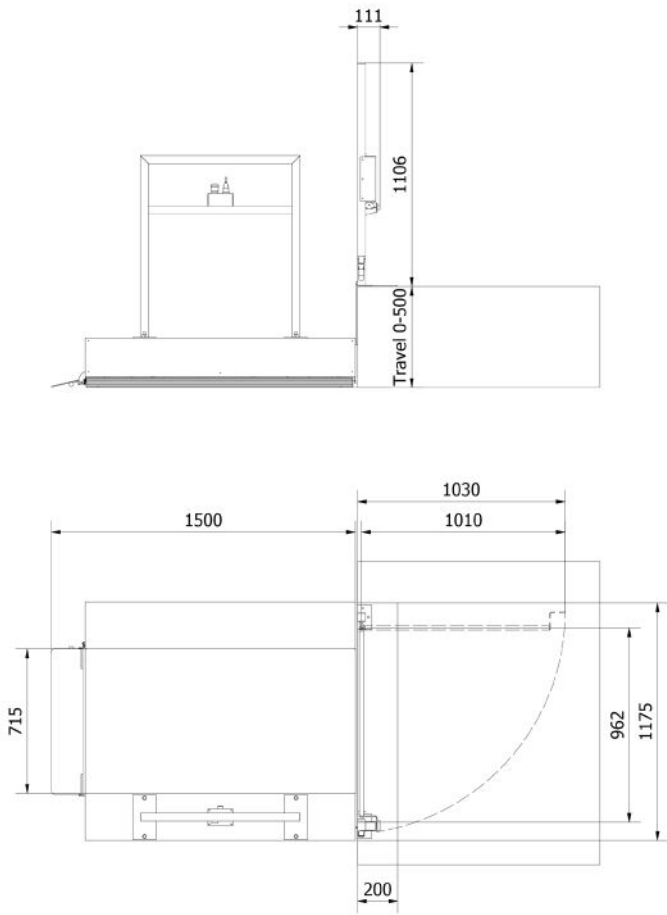
- Mechanically interlocked top gate
- Constant pressure joystick
- Different floor coverings
- Powder coating to alternative RAL
- Wider platform 920mm
- Longer access ramp 250mm
- Additional stainless steel handrail on opposite side of lift
- Remote landing call stations
- Key switch control
- No pit required

SUITABLE APPLICATIONS

Ideal for public spaces such as events, retail, small office buildings, education, health, care homes and leisure.

TECHNICAL DETAILS

Type of Lift	Step platform lift for public, commercial and residential environments
Platform Dimensions	720 x 1340mm as standard 920 x 1340mm optional (Part M Compliant)
Environment	Internal and external
Travel*	35mm - 500mm
Rated Speed	0.01m/s
Capacity	250kg
Drive	x2 Linear actuators
Motor	2.5 kW Motor
Electrical Supply	Single phase 50 hz
Fuse	13 Amp, fused spur
Control Voltage	24V DC
Compliance	Machinery directive, Approved document M, Equality Act



All of our MPR step lifts are supplied with 12 months product warranty and 12 months maintenance and servicing as standard.

